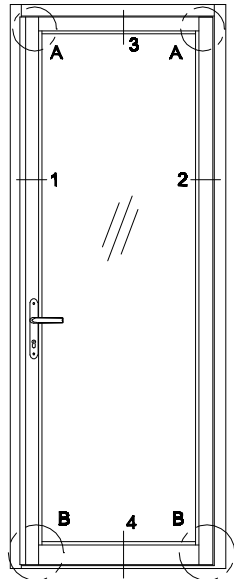
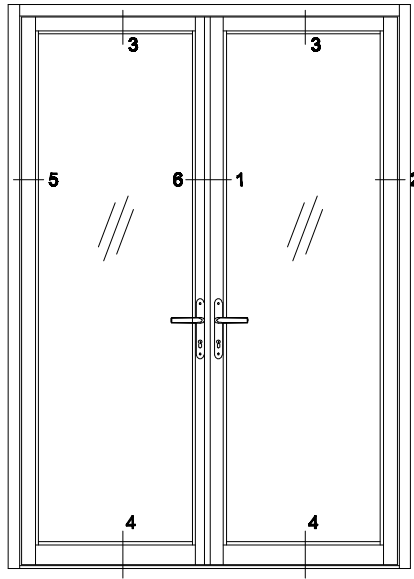


FD4500 - French Door Typical Detail

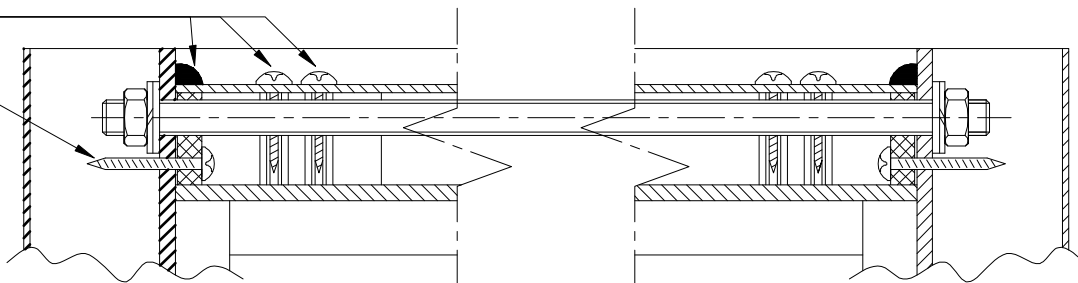


Single Door

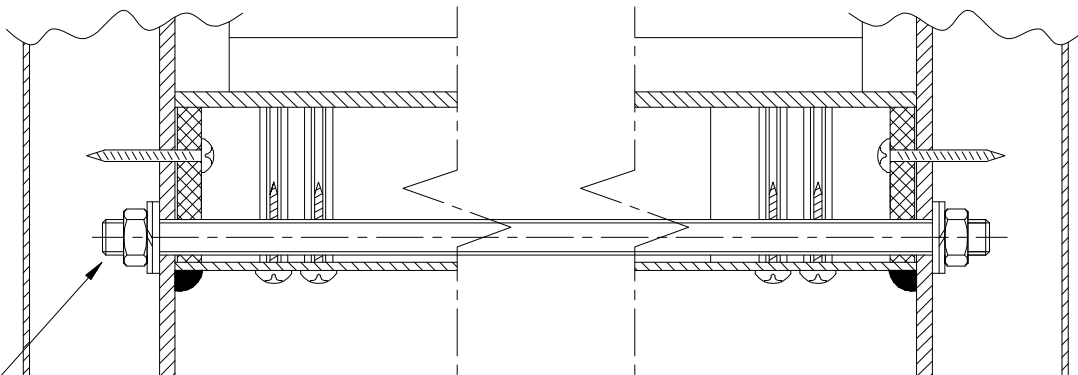


Double Door

● Door corners are mechanically fastened and welded



Door Construction A



Door Construction B

● Rod provide extra strenght to door