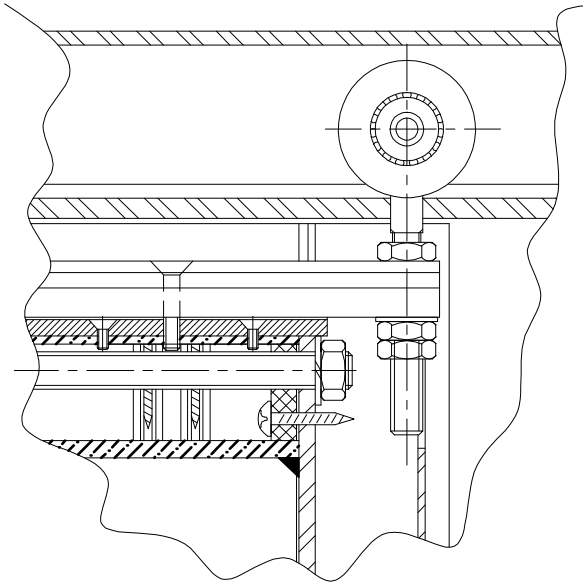
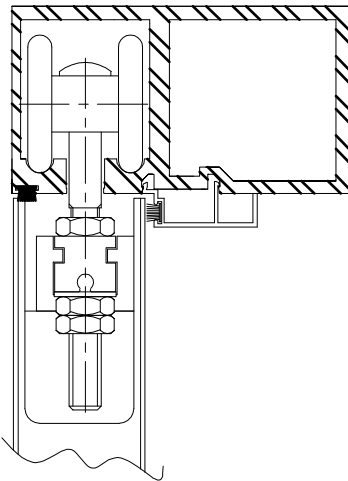


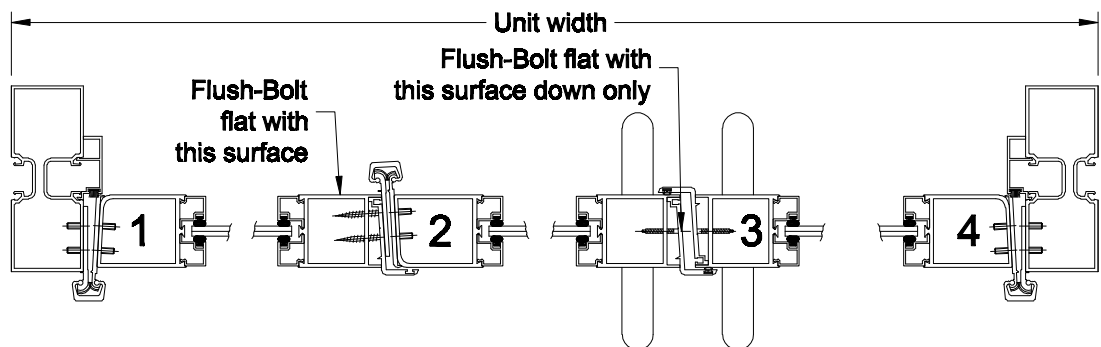
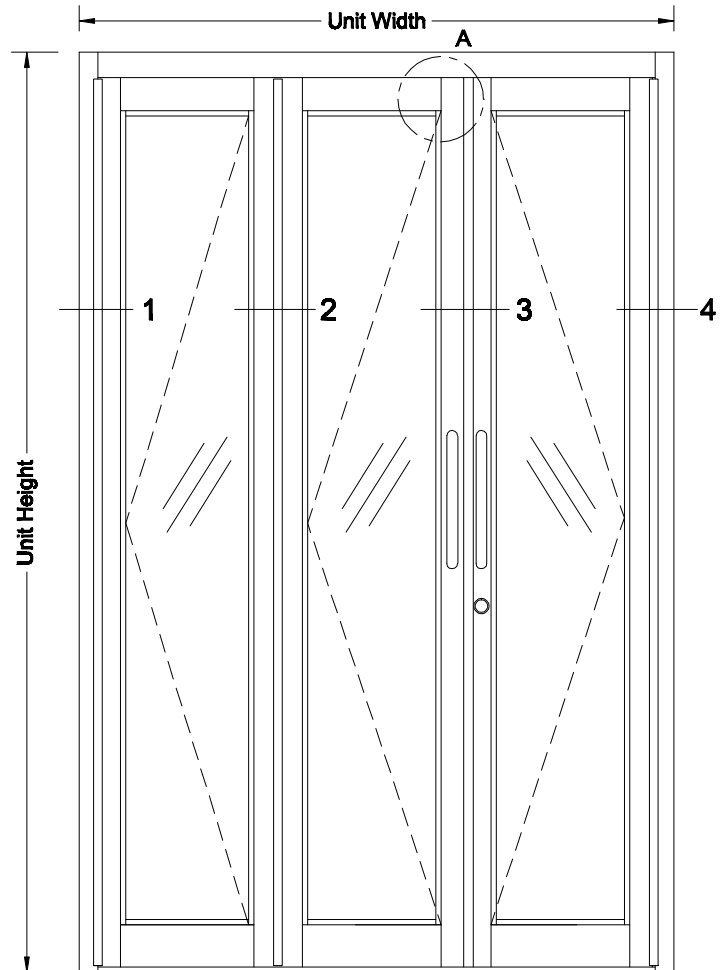
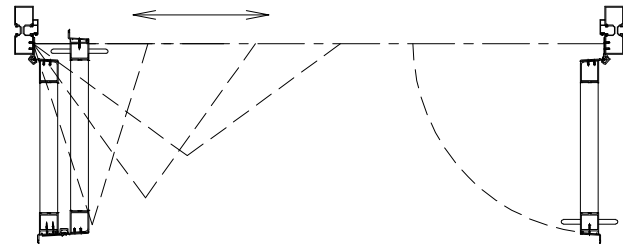
## Typical Detail Bi-Fold and Swing Combination



**Detail A (front section)**



**Detail A (side section)**



**Section View**